

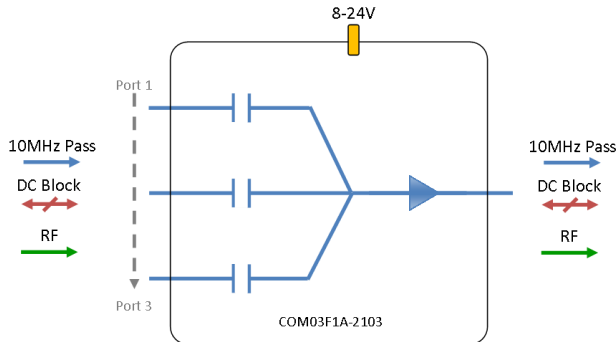


RF Components

3-Way IF-Band Active Combiner

50-2800MHz

Model Number:
COM03F1A-2103



- Covering IF, L & S-Band frequencies
- All ports 10MHz pass & DC blocked
- Requires external 8-24V DC bias

Available with RF connector options:

- 50 Ω SMA
- 50 Ω N-type
- 50 Ω BNC

8-24V
External DC
powering

50-2800 MHz
Operating frequency
range. L-Band ready

Compact
Housed in
rugged compact
enclosure

**Flexible
Mounting**
Tapped screw &
through hole
mounting options



RF Parameters				
COM03F1A-2103-XXXX		S5S5	N5N5	B5B5
Frequency Range		50 - 2800 MHz		
RF Connectors		50 Ω SMA	50 Ω N-Type	50 Ω BNC
Mean Gain (dB)		0 \pm 2	0 \pm 2	0 \pm 2
Flatness \pm (dB)		1.4	1.6	1.8
Input Return Loss (dB)	Typ.	22	22	20
	Min	16	16	15
Output Return Loss (dB)	Typ.	20	20	18
	Min	16	16	16
Output P1dB GCP** (dBm)	Typ.	15	15	15
	Min	12	12	12
Isolation (dB)	Typ.	16	16	16
Output IP3 (dBm)	Typ.	23	23	23
Noise Figure (dB)	Typ.	15	15	15
10MHz Rejection is 20dB **To ports which are applicable **GCP (Gain Compression Point)				

Broadcast



Marine Oil & Gas



SNG & VSAT



Satellite Teleport

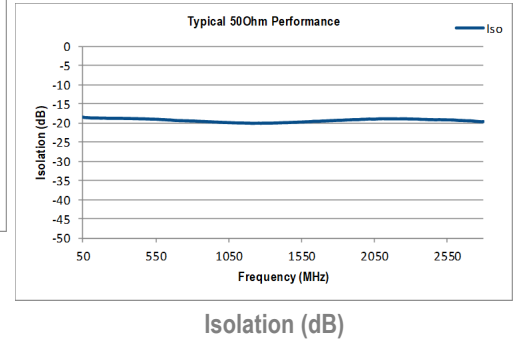
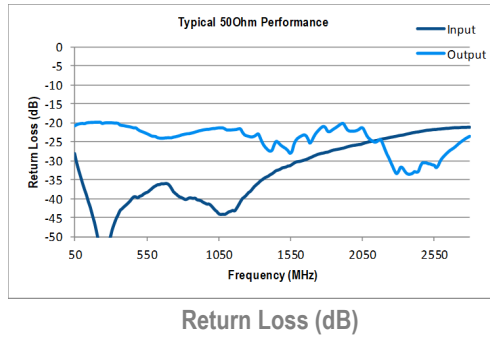
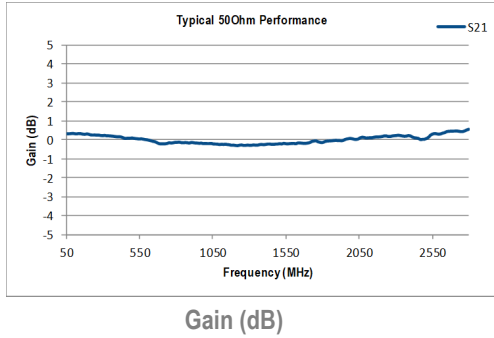




RF Components

Model Number:
COM03F1A-2103
3-Way IF-Band Active Combiner

Technical specifications and operating parameters

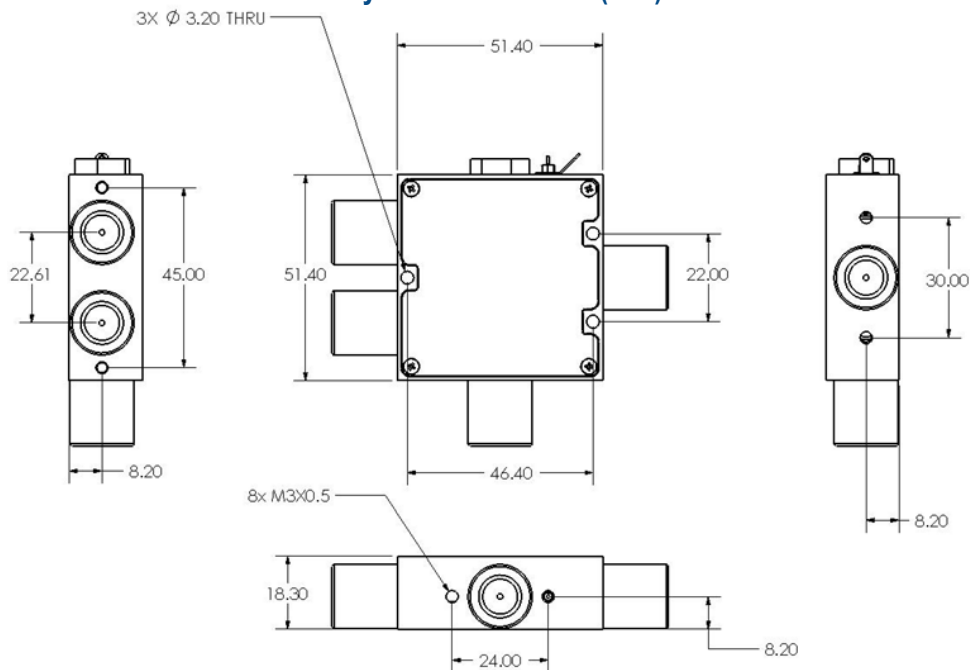


Environmental		
Operating Temperature		0°C to +45°C
Storage Temperature		-20°C to +75°C
Location		Indoor use Only
Humidity	Max	85% non-condensing
Altitude	Max	10,000 feet

Max Operating Parameters	
Input RF Power	+16 dBm
DC Voltage	24V on any RF port
DC Consumption	100mA max, 80mA typ

! Operation beyond these limits may cause instantaneous and permanent damage.

Physical Dimensions (mm)



Note: The specification is subject to regular reviews and will be updated from time to time as part of our continuing product development and improved specification accuracy.

ETL SYSTEMS LIMITED
Coldwell Radio Station
Madley
Hereford
England HR2 9NE

TELEPHONE
+44 (0)1981 259020

EMAIL
info@etlsystems.com

FACSIMILE
+44 (0)1981 259021

WEB
www.etlsystems.com

